



kemp

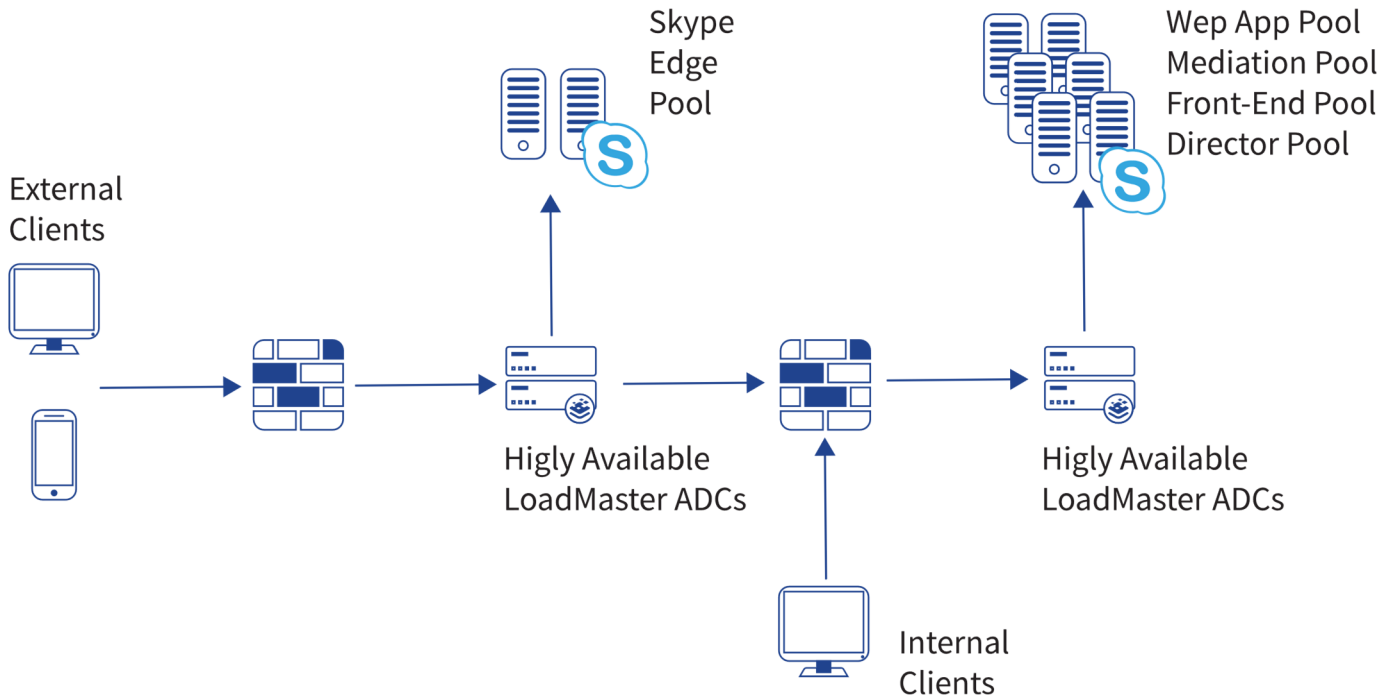
LoadMaster™ Skype for Business

Solution Brief



Microsoft® Skype for Business™ provides an enterprise-ready unified communications platform for engaging, accessible and interactive collaboration from virtually any location and any device. For IT organizations, the highly secure and reliable Skype for Business architecture allows for seamless integration with existing collaboration tools, reduced management complexity and flexible deployment options.

A full Enterprise deployment of Microsoft Skype for Business Server typically includes multiple server instances in Edge, Front-End, Director, Mediation and Office Web Apps server pools. To provide high availability for these critical server roles, load balancing is required to intelligently distribute traffic, detect failures and ensure that client requests are always serviced by healthy servers.



Microsoft Skype for Business supports DNS load balancing for some infrastructure components and hardware load balancing for others such as web services. These methods can be used together across the Skype for Business infrastructure to provide a highly available and scalable deployment.

Kemp LoadMaster™ combines a comprehensive feature set, intuitive user interface and Skype for Business-specific application templates to increase speed of deployment for Skype for Business. LoadMaster's Layer 7 application awareness ensures that server instances with inaccessible services are taken offline and that client requests are automatically re-routed to other functioning servers, preventing downtime and outages.

